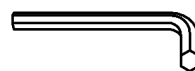


# ASSEMBLY INSTRUCTIONS

---



## TOOLS REQUIRED



**Allen Wrench**

(Included)



**Phillips  
Screwdriver**

(Not Included)



**2 - Persons  
Recommended**

## ASSEMBLY RATING



EASY —————> DIFFICULT

The Assembly Rating is a 5-point system showing the level of effort needed to assemble a specific product.



## **CHECK BEFORE STARTING**

### **Are you missing anything?**

Double-check all parts, hardware and accessories listed on Page 6 are accounted for.

### **Check out our Quick Tips!**

We recommend reviewing the pre-assembly handouts. Even experts need a refresher now and then!

### **Should we send any replacements?**

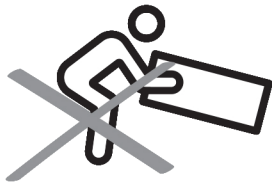
Are there any irregularities or flaws in the parts? We can send replacements!

### **Prep Time!**

Please review the assembly instructions and all diagrams prior to assembling. Arrange parts as recommended on Page 7 and group identical hardware together to make assembling easier.

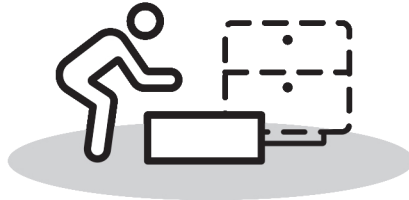
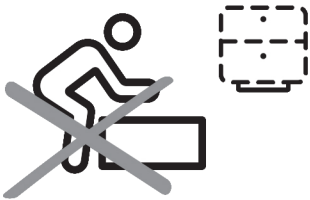
# PRE ASSEMBLY INTRODUCTION

We understand building ready-to-assemble furniture can be a challenging experience for some. To help avoid confusion, we have provided some helpful tips that may speed up the process.



## Teamwork

ALWAYS have at least two people to help with transporting and assembling the product to avoid potential injury and/or damage.



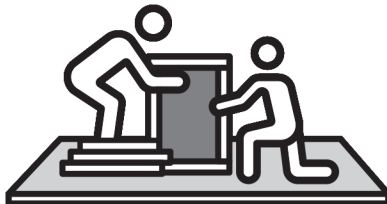
## Suitable Location

Assembling near the area of the intended location is highly recommended.



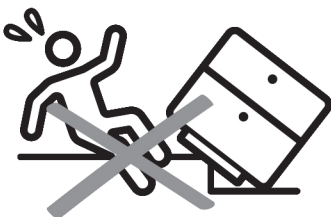
## Sufficient Space

Make sure you have enough space to move around during the assembly.



## Avoid Scratches

Use cardboard, blankets or a carpeted area while assembling furniture to prevent scratches.



## Flat Surface

Make sure the furniture rests on a flat and level surface with each leg evenly touching the floor.

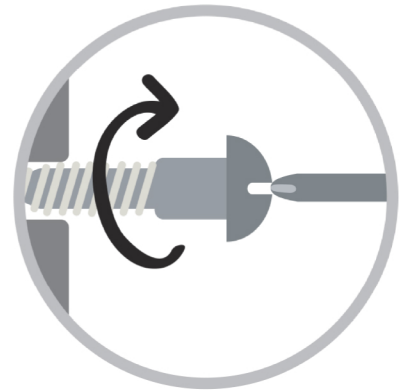
# ASSEMBLY AND CARE ADVICE



**FAILURE TO FOLLOW THE GUIDELINES BELOW MAY  
RESULT IN INJURY AND/OR PROPERTY DAMAGE.**



Position each part correctly  
and insert screws or bolts into  
their respective holes.



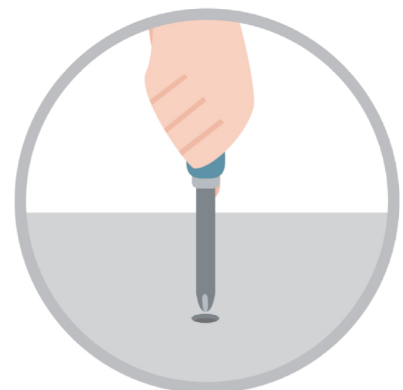
Turn clockwise to tighten and  
only tighten when step is  
completed or when instructed  
to do so.



Use the appropriate hand tools  
or power tools for assembly.  
Select steps, such as tightening  
screws and/or bolts, may require  
hand tools to avoid causing  
damage during assembly.



Save the instructions and store  
any supplied tools for later  
maintenance.



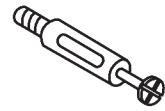
After two weeks, check and  
tighten any loose hardware and  
repeat again every six months  
thereafter.

**IT IS THE USER'S RESPONSIBILITY TO MAINTAIN THE FURNITURE. THE HARDWARE MAY LOOSEN OVER TIME AND MAY CAUSE THE FURNITURE TO BE WOBBLY AND UNABLE TO SUPPORT ITS INTENDED WEIGHT CAPACITY. THIS MAY LEAD TO COLLAPSE AND MAY CAUSE SERIOUS INJURY.**

# CAM LOCK FASTENER ASSEMBLY INSTRUCTIONS

## Note :

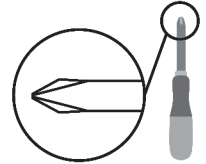
Every cam lock bolt must have a cam lock connector in order to fasten the parts together.



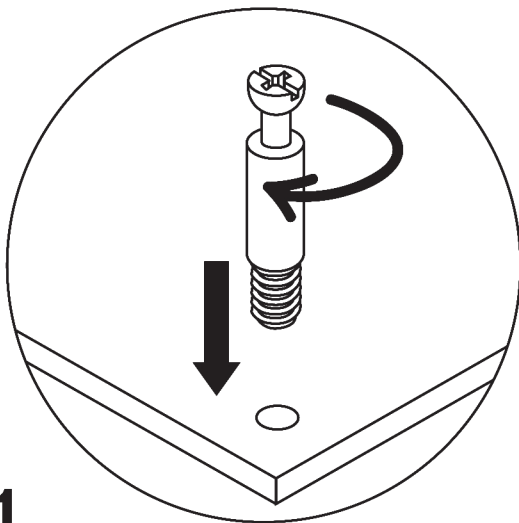
cam bolt



cam lock

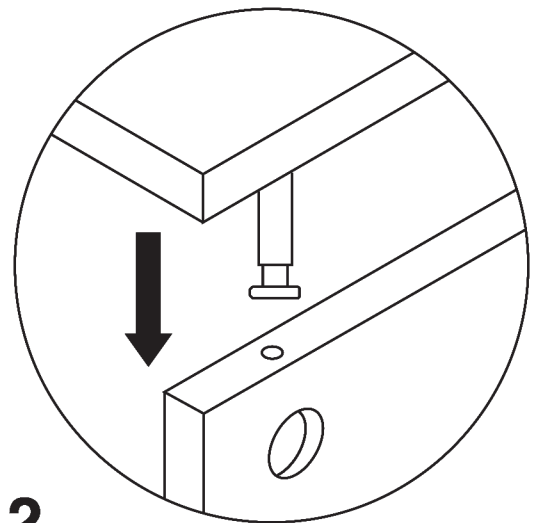


screwdriver



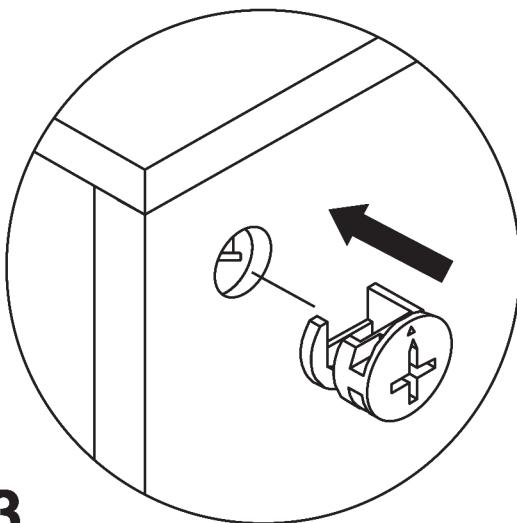
**1**

Screw the cam bolt into panel.



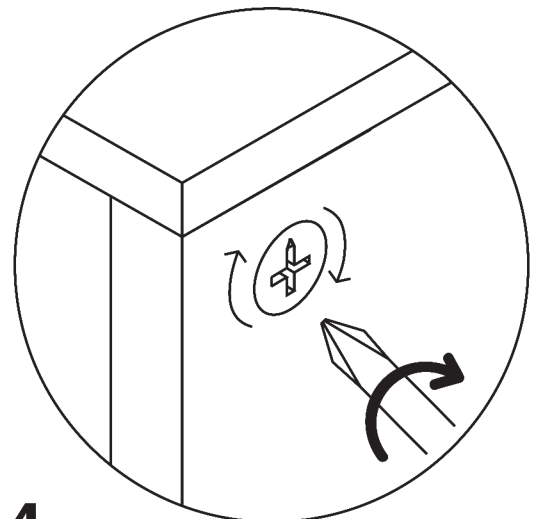
**2**

Insert the cam bolt into the bolt hole of joint panel.



**3**

Align the cam lock with its side opening (or arrow) pointing to cam bolt.



**4**

Turn the cam lock clockwise gently until it will not turn any more.

# BAR TABLE

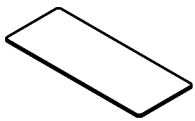


- Please keep instructions for future reference.
- Check the quantity and irregularity of parts and hardware before you start.



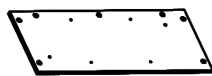
## PARTS

#1 1pc



Top Panel

#2 1pc



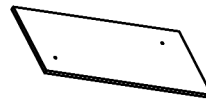
Left Side Panel

#3 1pc



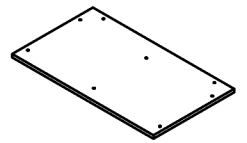
Vertical Panel

#4 1pc



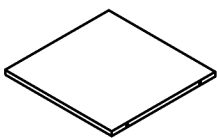
Right Side Panel

#5 1pc



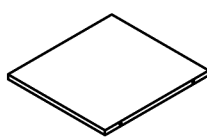
Base Panel

#6 1pc



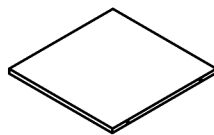
Left Shelf(UP)

#7 1pc



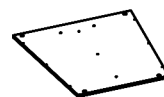
Left Shelf(DOWN)

#8 1pc



Right Shelf

#9 1pc



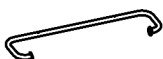
Front Panel

#10 1pc



Top Metal Tube

#11 1pc



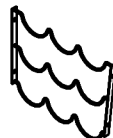
Bottom Metal Tube

#12 2pcs



Support Leg

#13 2pcs



Bottom Metal Rack

#14 4pcs



Leg

#15 1pc



Top Metal Tube

# HARDWARE

#A 14pcs



Bolt 1/4"X5/8"

#B 4pcs



Bolt 1/4"X1-1/4"

#C 2pcs



Bolt 1/4"X1-5/8"

#D 20pcs



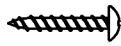
Flat Washer Ø13

#E 1pc



Allen Wrench M4

#F 20pcs



Wood Screw Ø4x15

#G 2pcs



Bolt 1/4"X1-5/8"

#H 37pcs



Cam Bolt

#I 37pcs



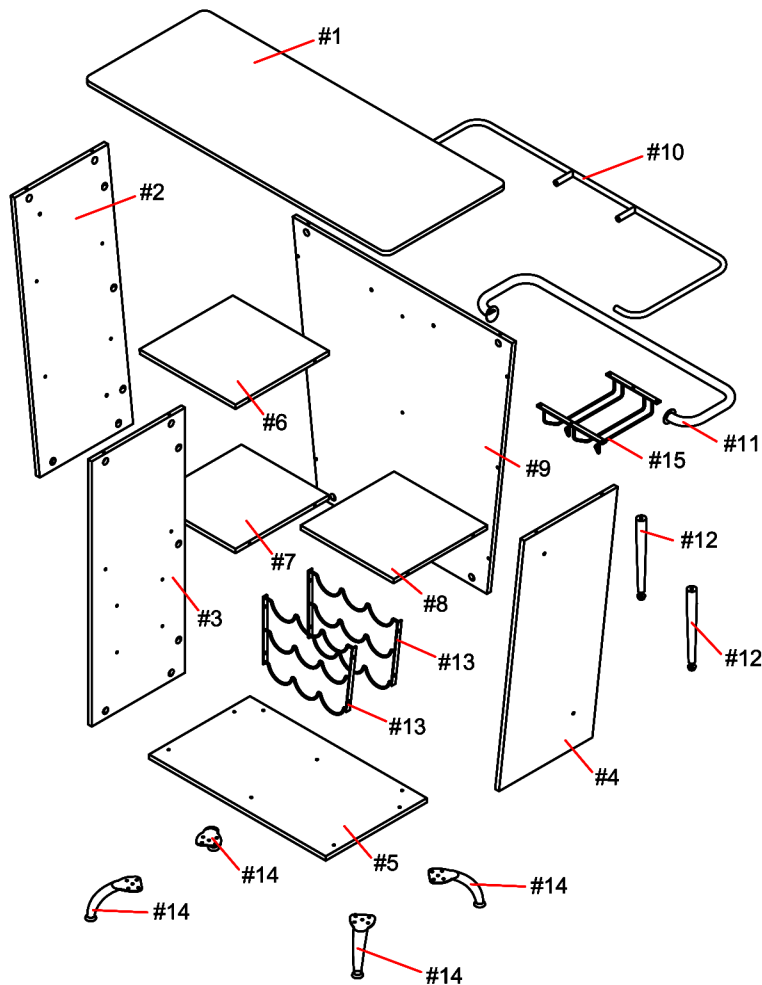
Cam-Lock

#J 2pcs



Middle Washer

## Exploded View

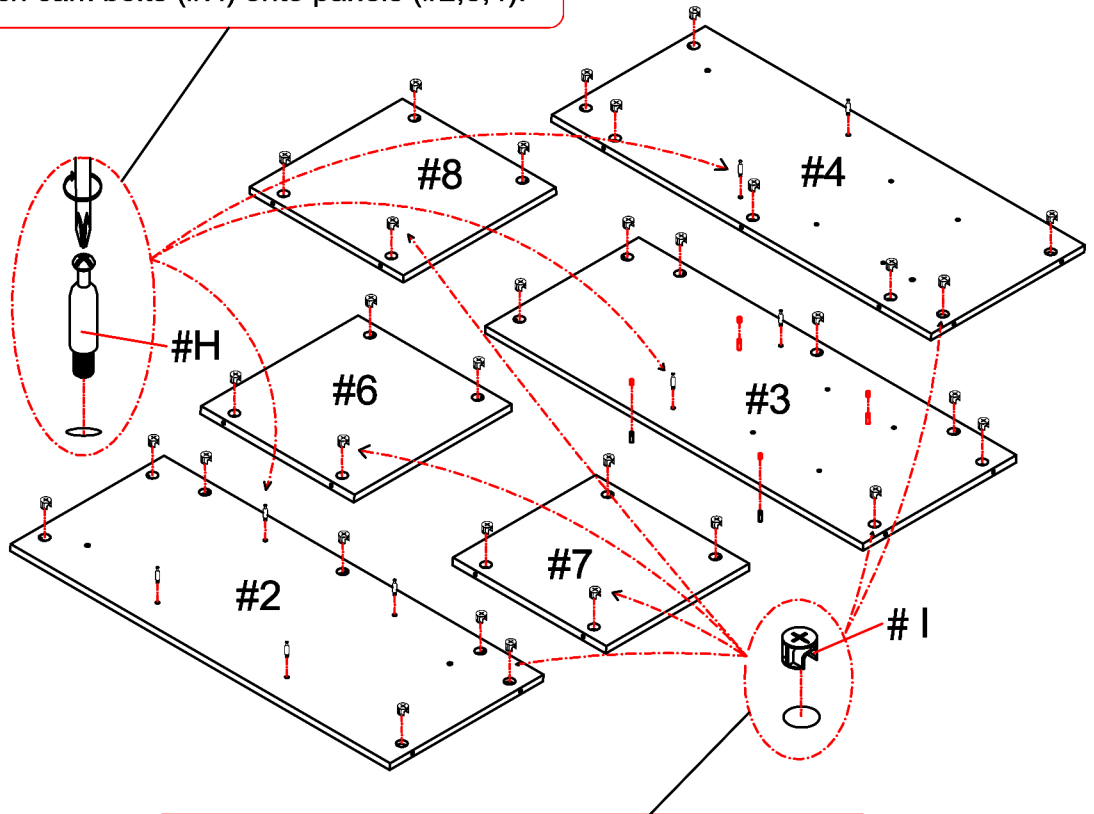


# ASSEMBLY INSTRUCTIONS

1) Attach cam bolts (#H) onto panels (#2,3,4).

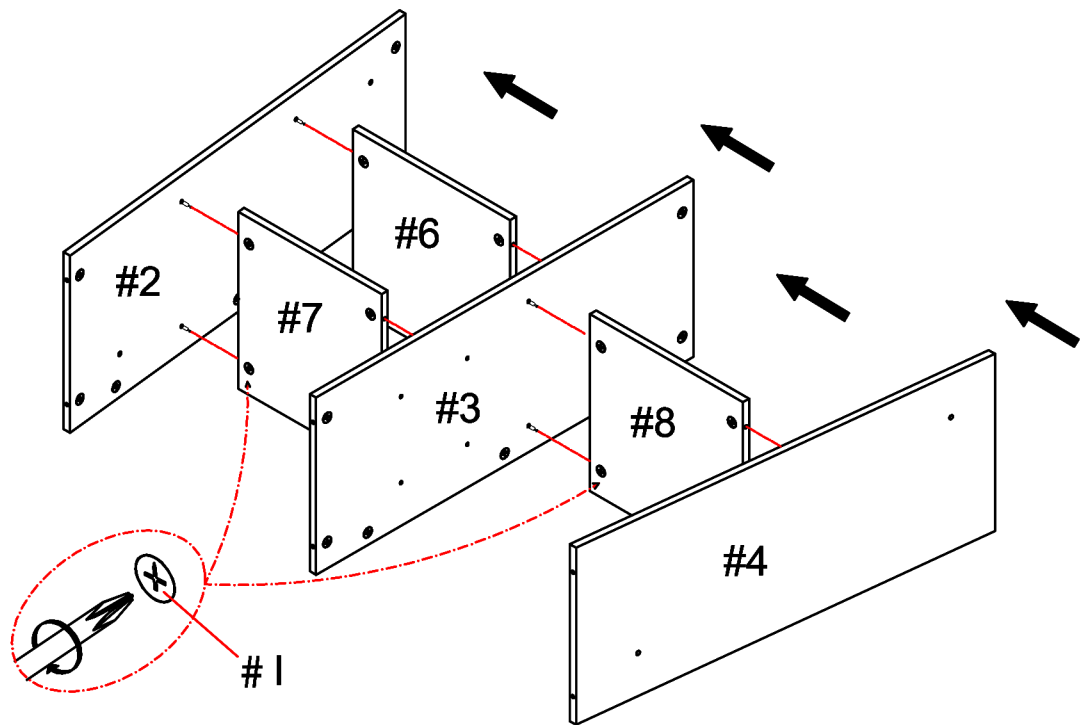
# 1

- Part #2 x1pc
- Part #3 x1pc
- Part #4 x1pc
- Part #6 x1pc
- Part #7 x1pc
- Part #8 x1pc
- Hardware #H x12pcs
- Hardware #I x33pcs



2) Attach cam locks (#I) into the holes of the panels above.

# 2



When attaching panels together, make sure to reference back to page 5 on how to properly fit cam bolts (#H) to cam locks (#I).

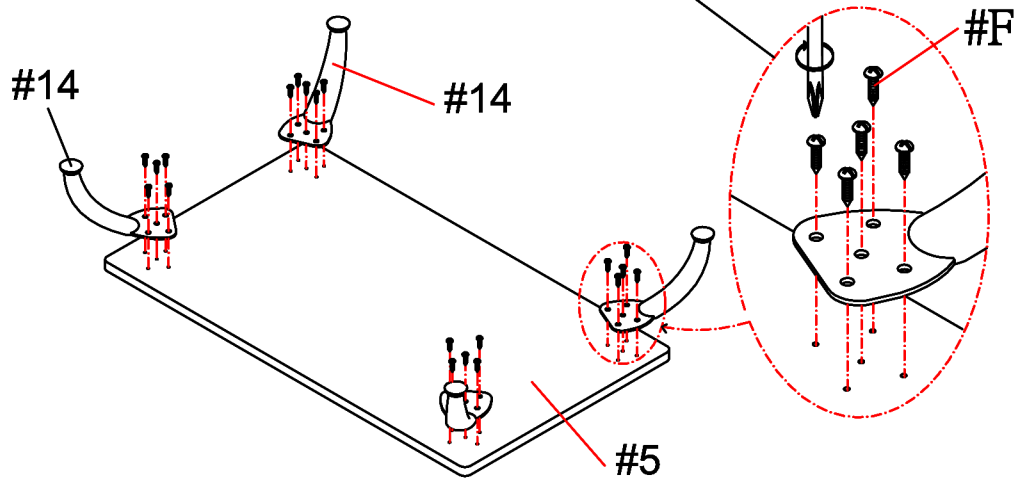


# ASSEMBLY INSTRUCTIONS

Align legs (#14) to the base panel (#5), then secure by using screws (#F).

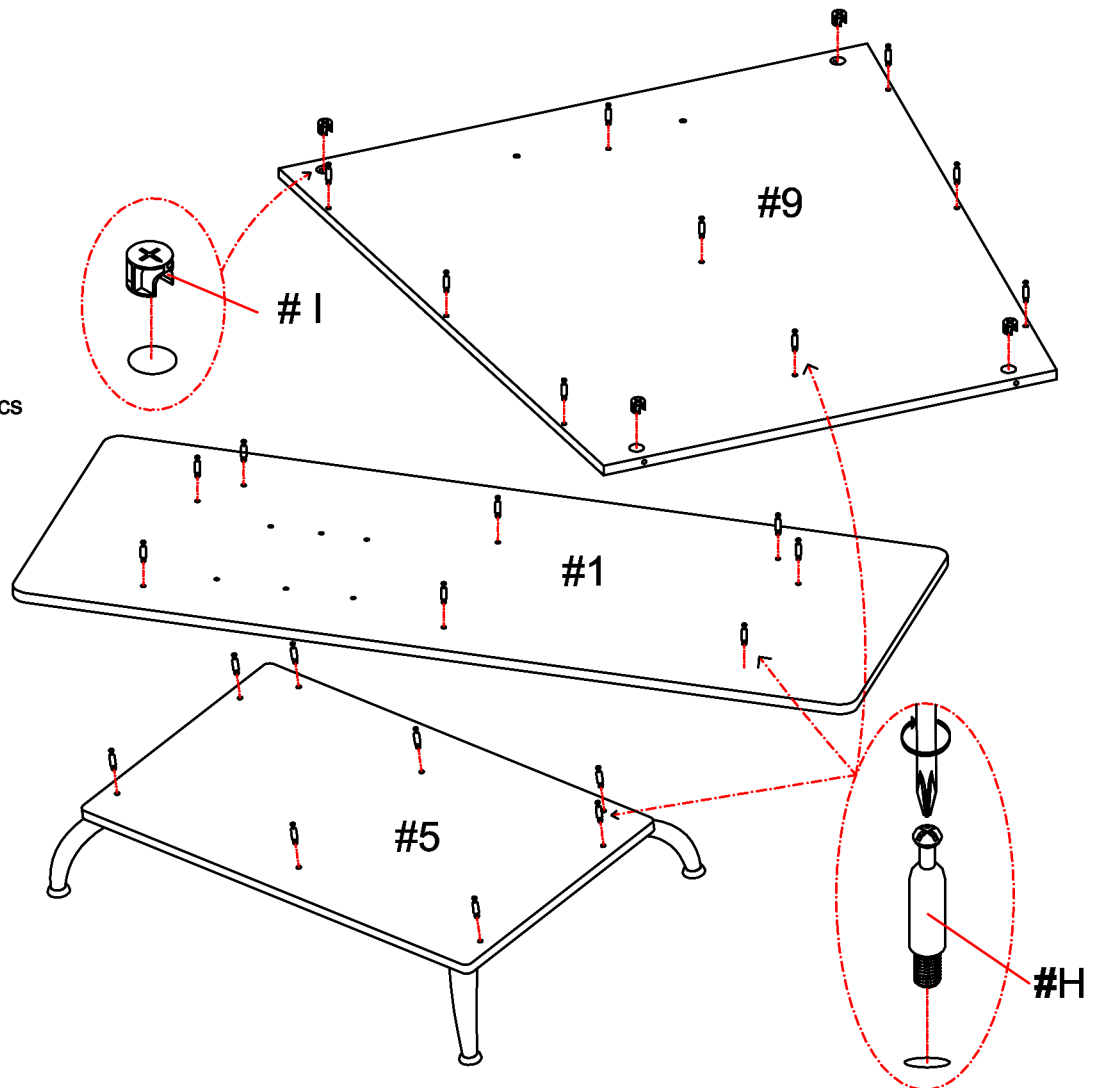
## 3

Part #14 x4pcs  
Hardware #F x20pcs



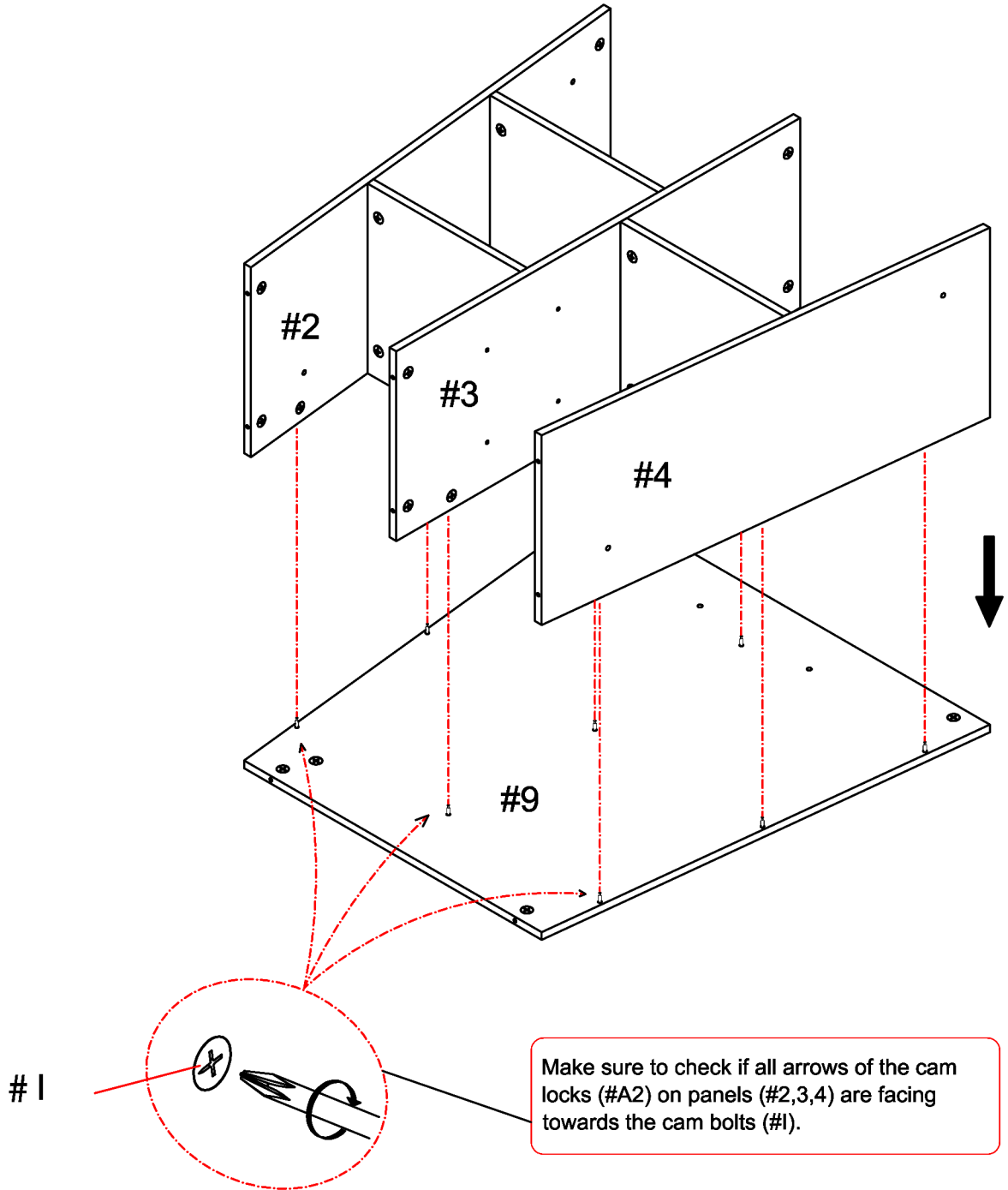
## 4

Part #1 x1pc  
Part #9 x1pc  
Hardware #1 x4pcs  
Hardware #H x25pcs



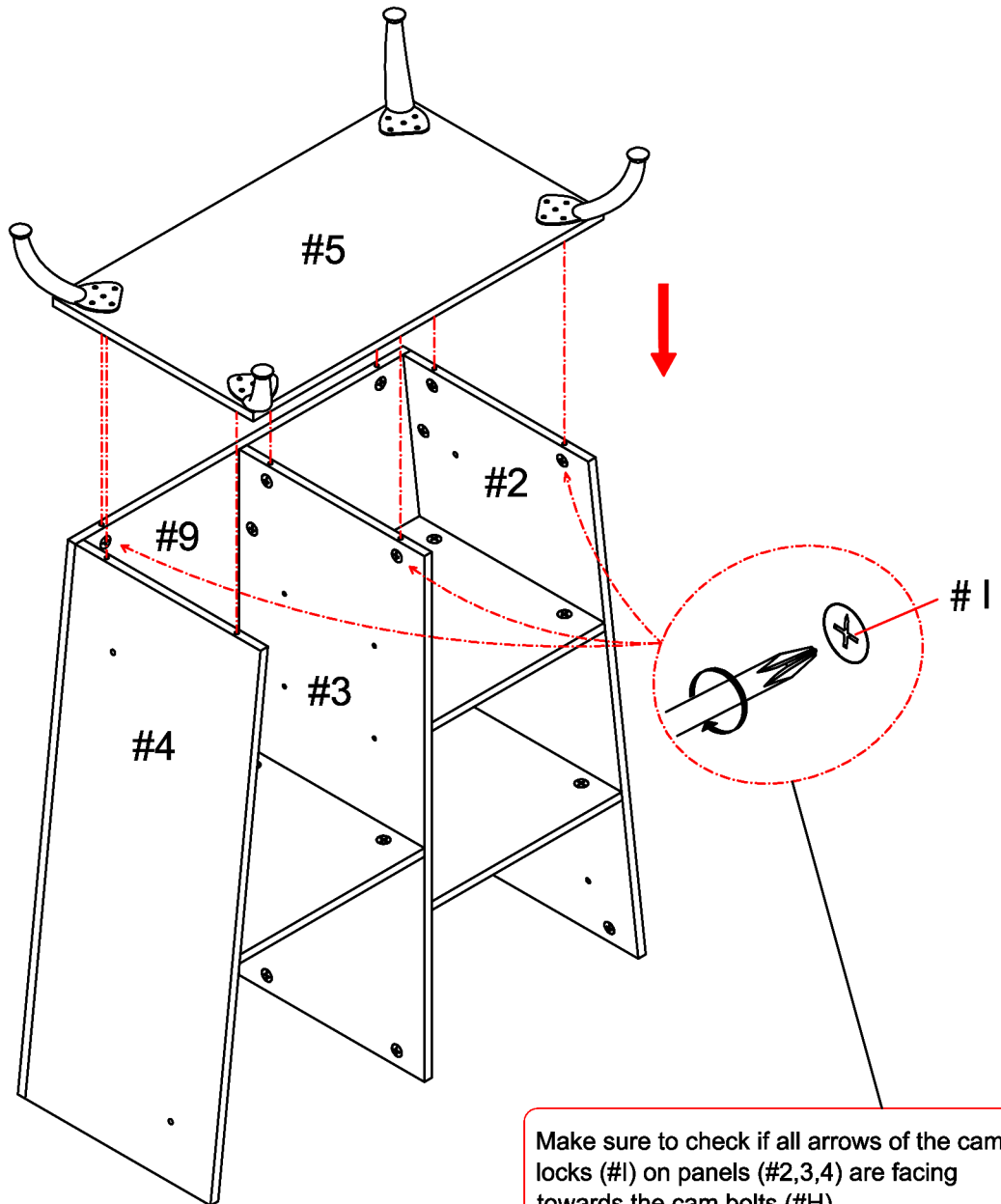
# ASSEMBLY INSTRUCTIONS

5



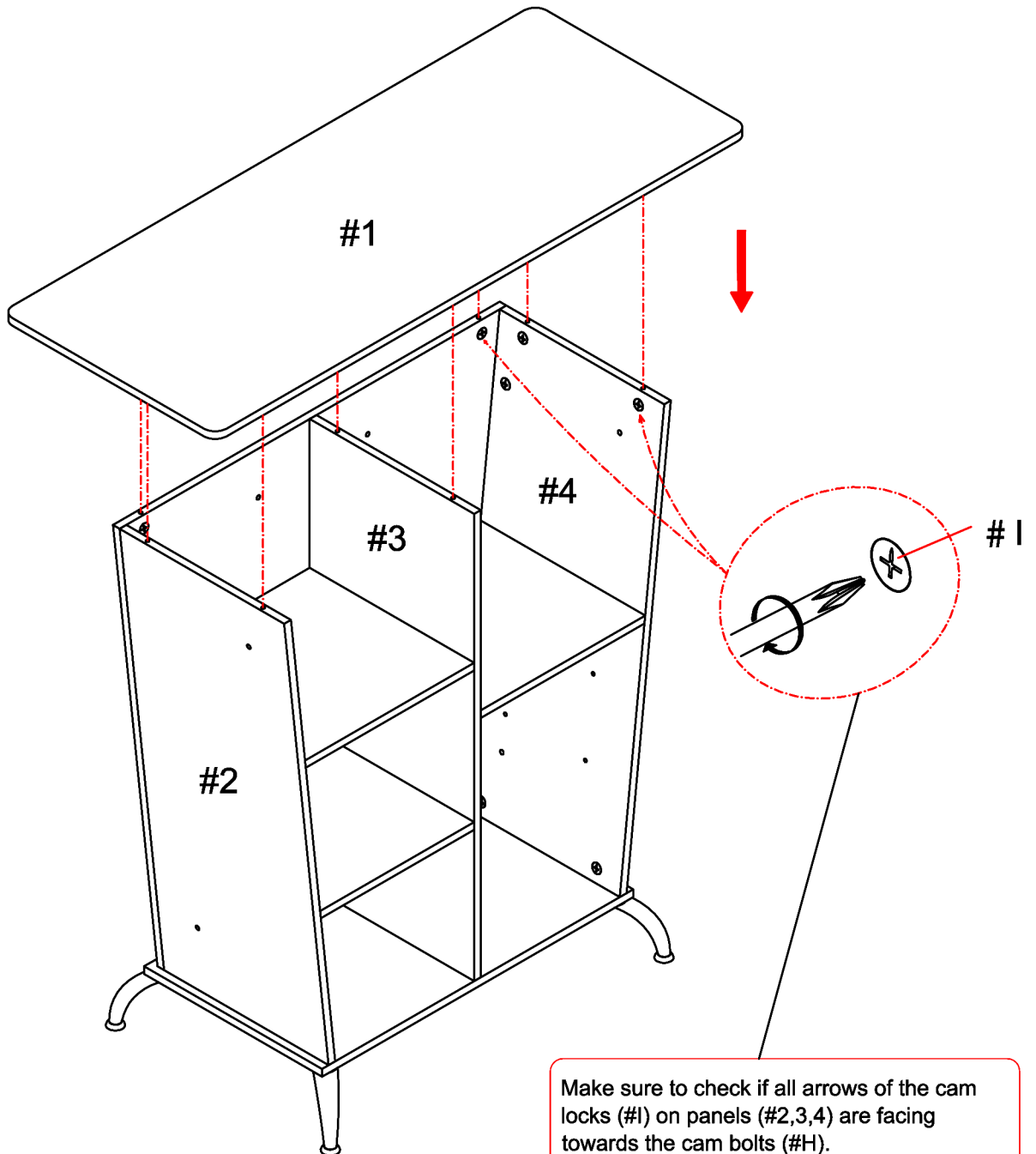
# ASSEMBLY INSTRUCTIONS

6



# ASSEMBLY INSTRUCTIONS

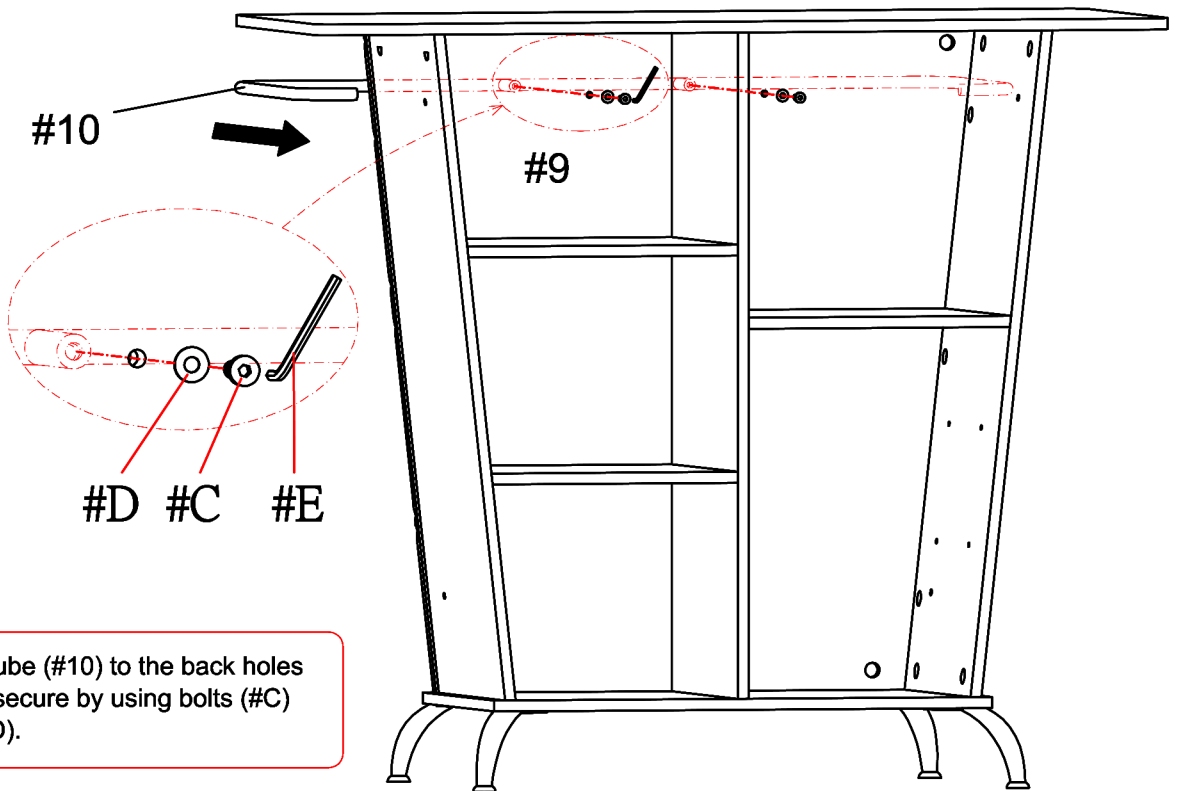
7



# ASSEMBLY INSTRUCTIONS

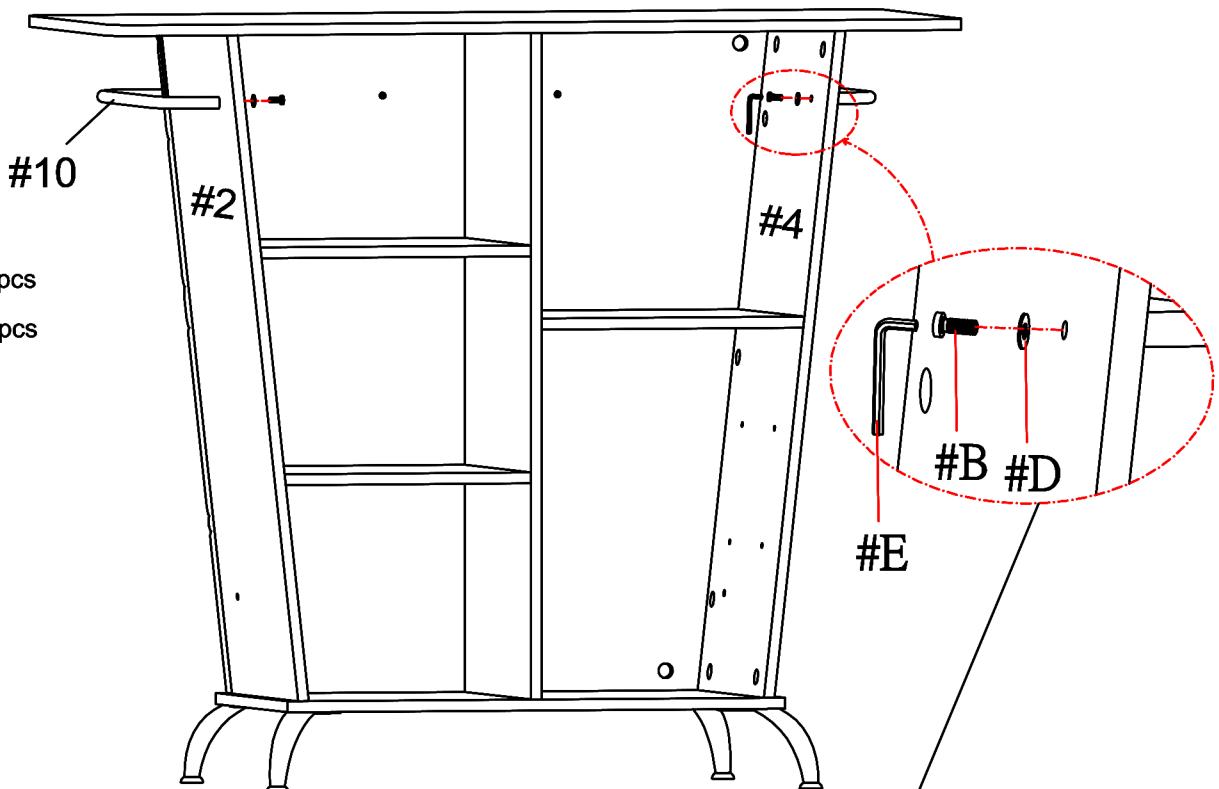
## 8

- Part #10 x1pc
- Hardware #C x2pcs
- Hardware #D x2pcs



## 9

- Hardware #B x2pcs
- Hardware #D x2pcs



# ASSEMBLY INSTRUCTIONS

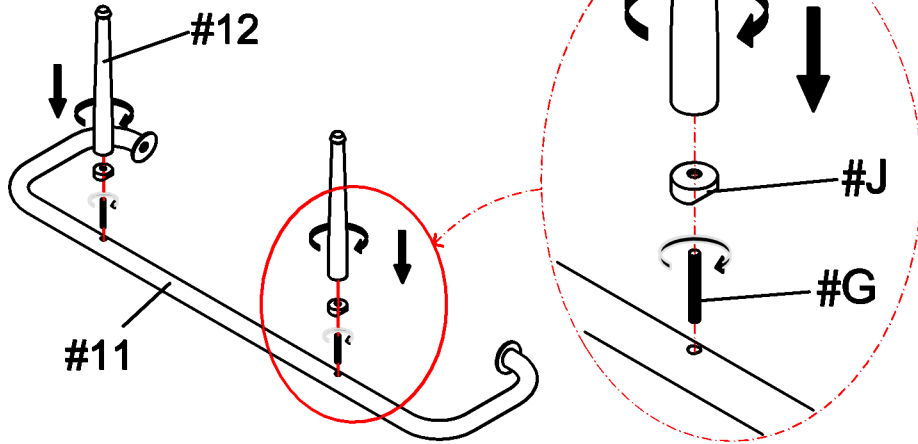
## 10

Part #11 x1pc

Part #12 x2pcs

Hardware #J x2pcs

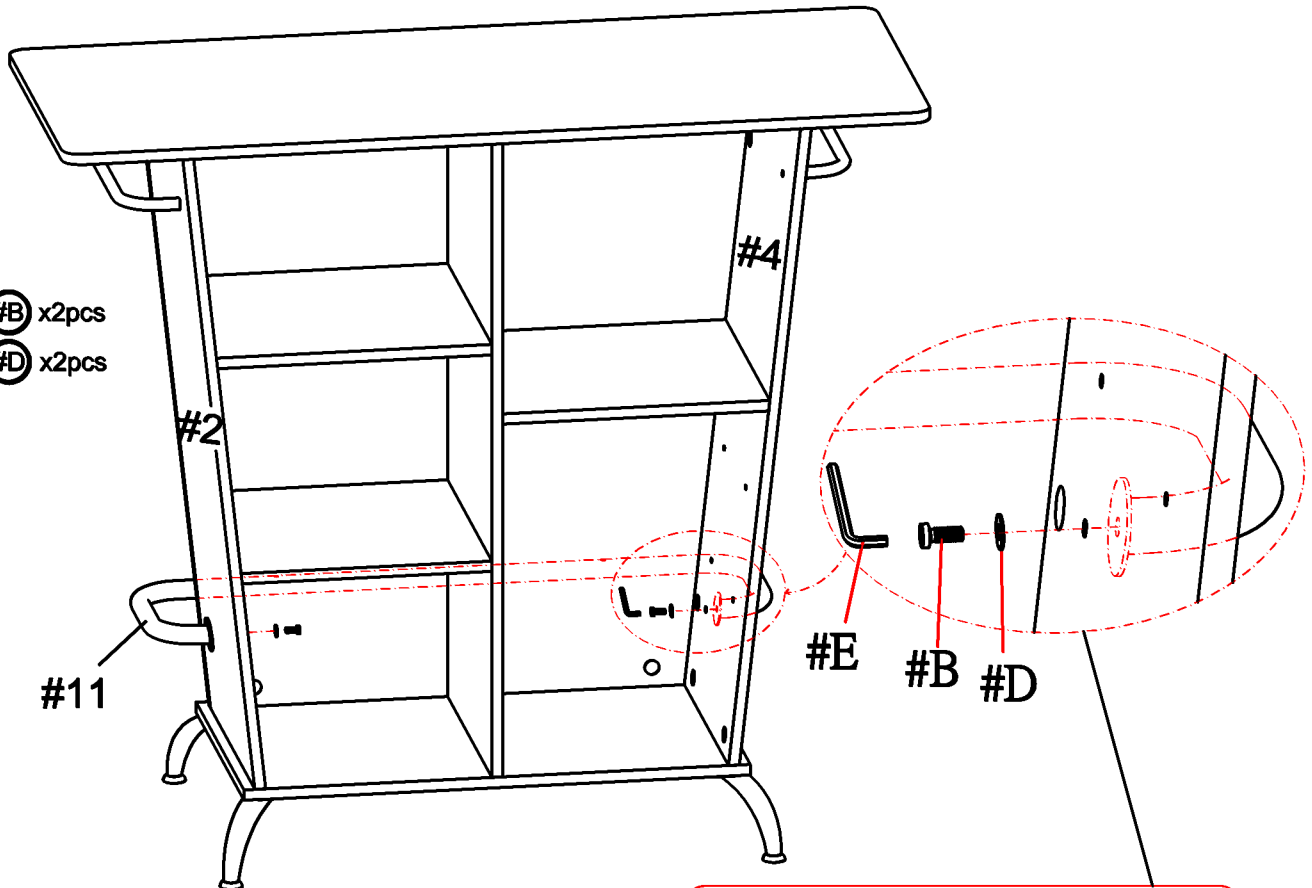
Hardware #G x2pcs



## 11

Hardware #B x2pcs

Hardware #D x2pcs



Align bottom metal tube (#11) to the side panels holes (#2,4), then secure by using bolts (#B) with washers (#D).

# ASSEMBLY INSTRUCTIONS

## 12

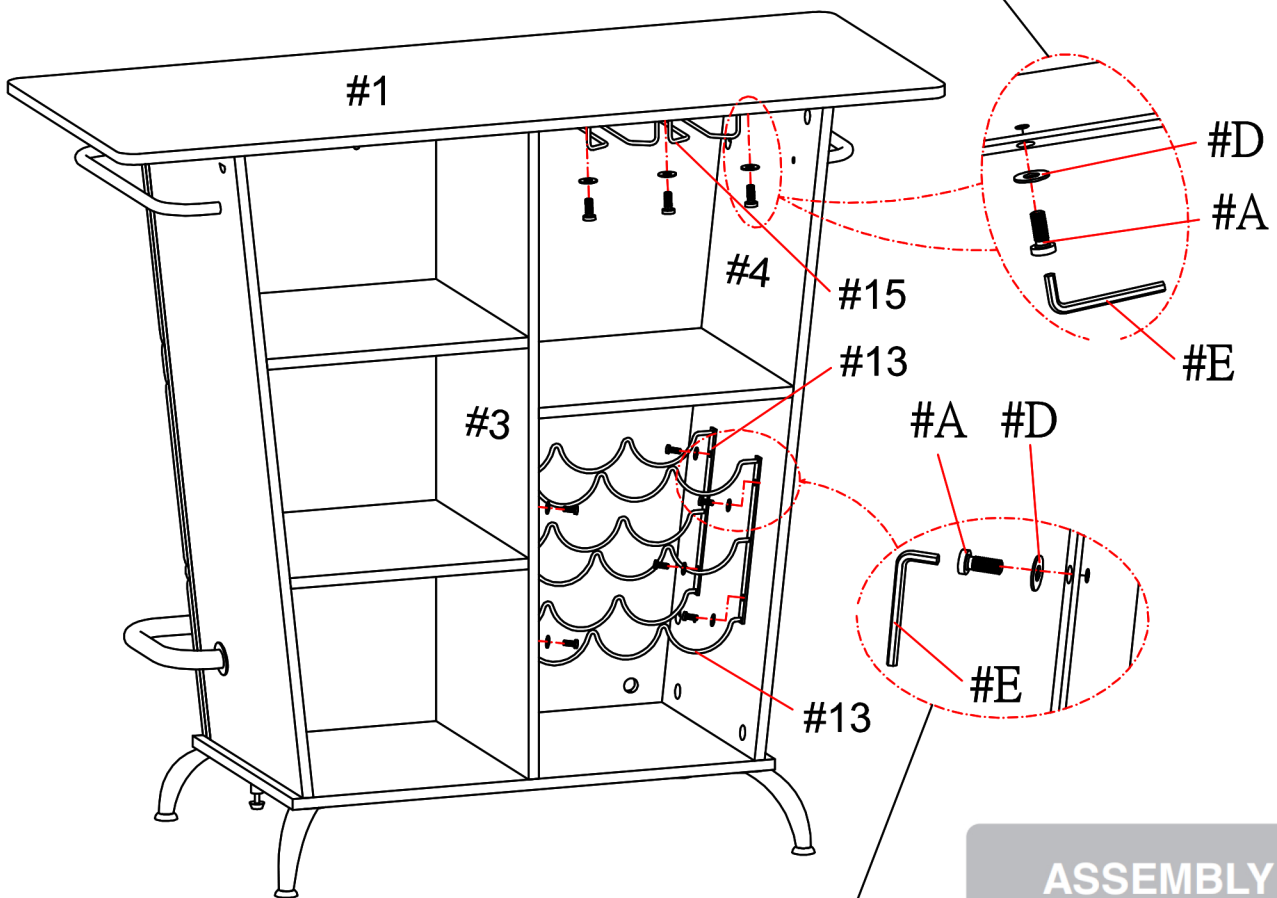
Part #13 x2pcs

Part #15 x1pc

Hardware #A x14pcs

Hardware #D x14pcs

1) Align top metal rack (#15) to the holes of the top panel (#1), then secure by using bolts (#A) with washers (#D).



2) Align bottom metal racks (#13) to the holes of the unit, then secure by using bolts (#A) with washers (#D).

## ASSEMBLY COMPLETED

Please ensure the furniture rests on an even and flat surface. If the product wobbles or feels loose, double-check all bolts and/or screws are properly tightened and secured.



### Keep this handy!

Please retain this instruction manual and any order-related information for future reference.